

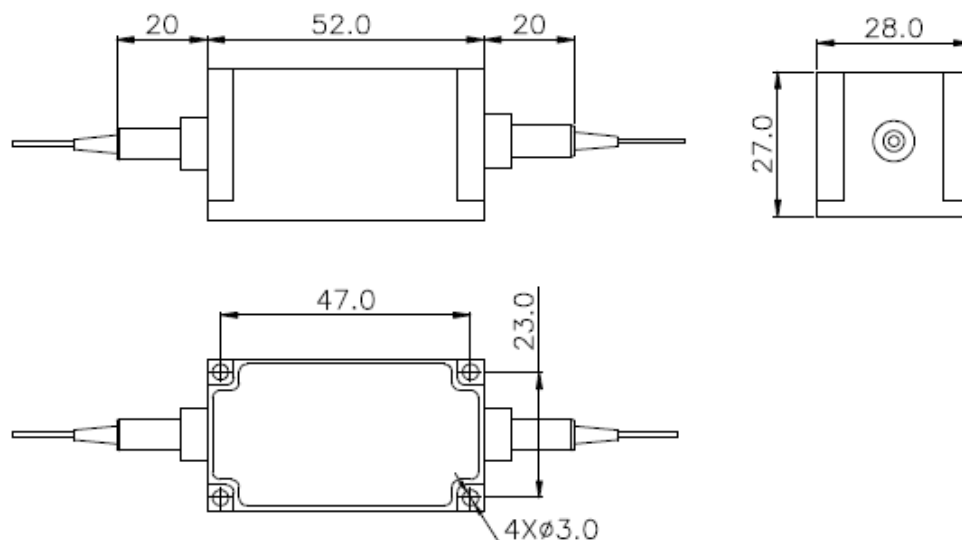
# 850nm PI Isolator

Our PI Isolator is characterized with low insertion loss, high isolation, high power handling, high return loss, excellent environmental stability and reliability. It is ideal for fiber laser and instrumentation applications.

## SPECIFICATIONS

| Parameters   | Values            |
|--|-------------------|
| Center Wavelength (CWL)                              | 850 nm            |
| Max. Polarization Dependent Loss                     | 0.15 dB           |
| Min. Isolation, CWL, 23degC, all polarization states | 22 dB             |
| Typ. Insertion Loss, 23degC                          | 1.3 dB            |
| Max. Insertion Loss, 23degC                          | 1.6 dB            |
| Min. Return Loss (Input/Output)                      | 50/50 dB          |
| Max. Optical Power (Continuous Wave)                 | 500 mW            |
| Max. Tensile Load                                    | 5 N               |
| Fiber Type   | HI780 fiber       |
| Package Dimension                                    | LxWxH 52x28x27 mm |

\*IL is 0.5dB higher, RL is 5dB lower, and ER is 2dB lower for each connector added.



Tolerance: X. $\pm$ 1mm; X.X $\pm$ 0.5mm



*Specifications are subjected to change with a view of enhancing system performance without prior notice.  
Design and specifications can be customized to suit a range of customer requirements.*